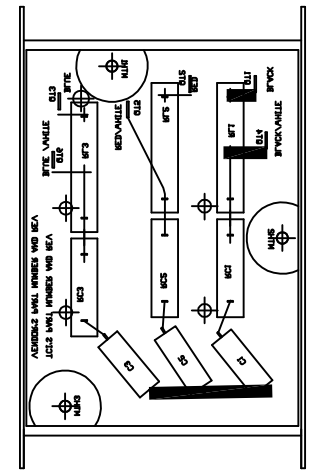
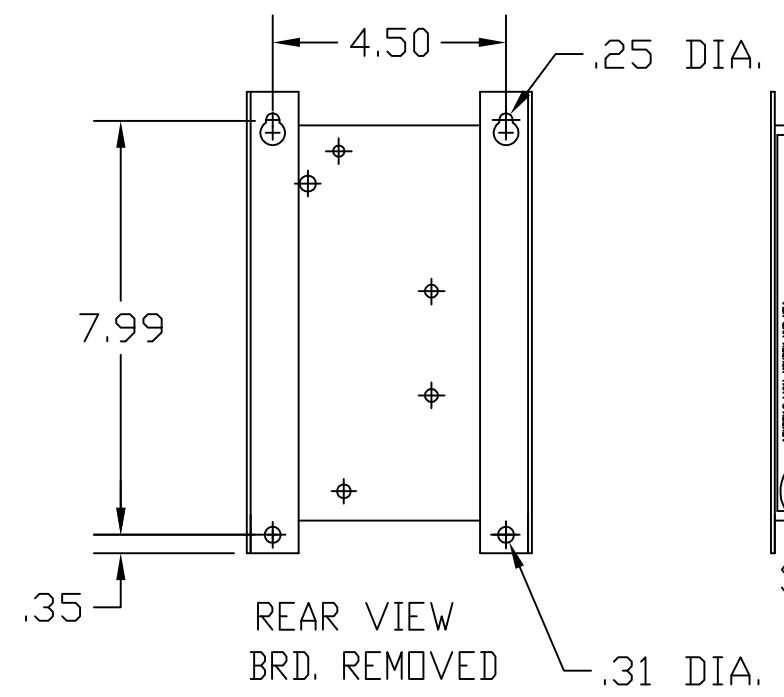
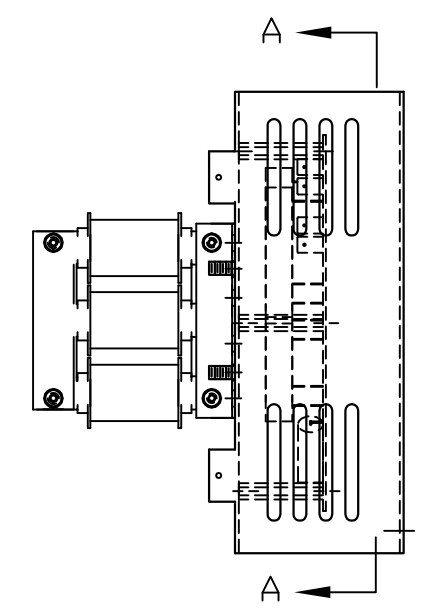
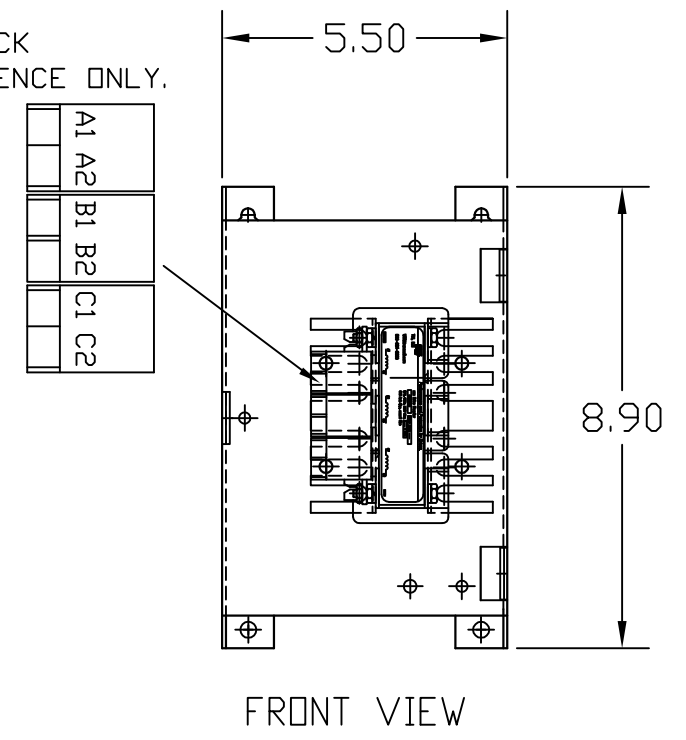
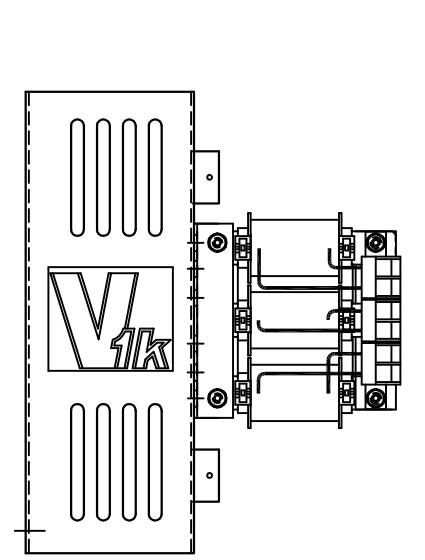


SPECIFICATIONS:	
AMP.	12
VOLT	240-600
PHASE	3
HZ	60
WEIGHT, LBS.	8
OPEN VERSION	

MARKINGS ON TERMINAL BLOCK
A1,A2,B1,B2,C1,C2 FOR REFERENCE ONLY.



TOLERANCE UNLESS OTHERWISE NOTED:	
MOUNTING	+/- .06
OVERALL	+/- .12

CUSTOMER IS RESPONSIBLE FOR INSTALLATION TO MEET ALL NATIONAL AND LOCAL ELECTRICAL CODES.

TCI, LLC CLAIMS PROPRIETARY RIGHTS IN THE MATERIAL HEREIN DISCLOSED. IT IS SUPPLIED WITHOUT PREJUDICE TO ANY PATENT RIGHTS OF TCI AND MAY NOT BE REPRODUCED OR USED TO MANUFACTURE ANYTHING SHOWN THEREIN WITHOUT WRITTEN PERMISSION FROM TCI.				TOLERANCES (EXCEPT AS NOTED): DECIMAL	W132 N10611 GRANT DRIVE GERMANTOWN, WI 53022 V1K12A00, OUTPUT FILTER 12 AMP, OPEN VERSION	
				.XX ± .03 .XXX ± .01		
					FRACTIONAL ± 1/32	DRN. BY: RJC DATE: 2/1/05 DWG. NO: 102315DG
					ANGULAR ± 1/2°	SCALE: NONE SIZE: B SHT. 1 OF 1
	3216 ADD SEE GUIDE	12/5/2014	DSW			
	NO REVISION	DATE	BY			